

Plug Diverter Valves

VAS



Srbija 11160 Beograd, Jovanke Radaković 31lj
Tel.: +381 (0) 11 2991 331, 2991 332
Mob.: +381 (0) 63 280 797
E-mail: svencommerce@sbb.rs
www.svencommerce.co.rs

SVENCOMMERCE



Srbija 11160 Beograd, Jovanke Radaković 31lj
Tel.: +381 (0) 11 2991 331, 2991 332
Mob.: +381 (0) 63 280 797
E-mail: svencommerce@sbb.rs
www.svencommerce.co.rs

SVENCOMMERCE



TOREX[®]

THE MOST COMPACT, SIMPLEST, AND FASTEST DIVERTER VALVE ON THE MARKET

VAS Plug Diverter Valves are used in both positive and negative pressure pneumatic conveying lines. The design of the VAS Plug Diverter Valve enables application in any conveying direction. Its technical features make it particularly suitable for applications in the flour milling industry. The change from one tubular exit to another, thus diverting material flow, is controlled by a pneumatic actuator.

Features

VALVE

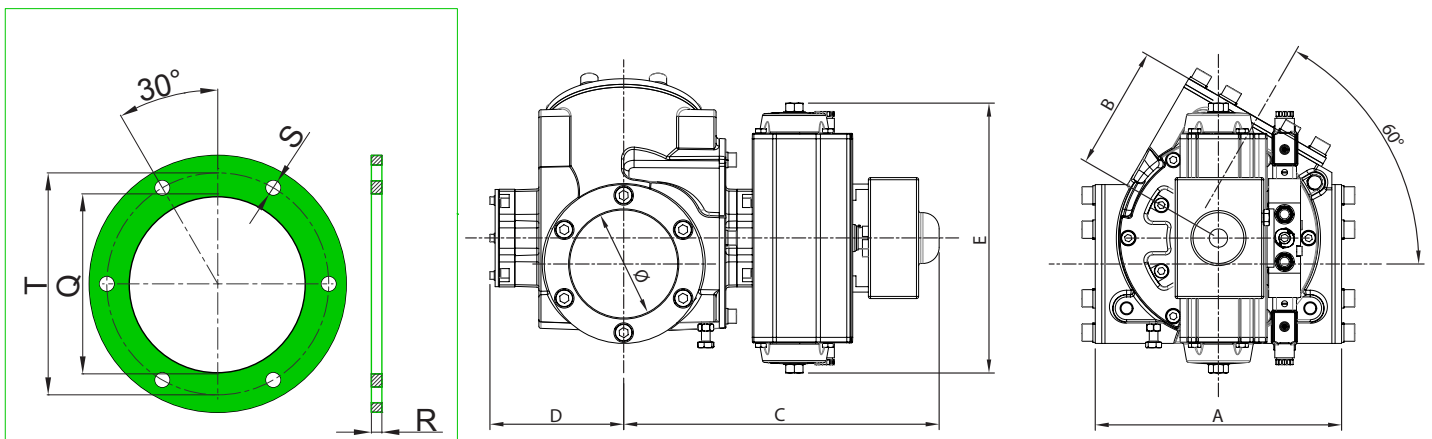
- Cast aluminium alloy casing
- Nickel-plated versions available
- Diverter angle: 60°
- Minimum exchange time: 3 sec
- Operating temperature: -10 °C to 80 °C (14 °F to 176 °F)
- Operating pressure: Pressure conveying: 1 bar (14.5 PSI)
Vacuum conveying: -0.5 bar (-7.3 PSI)
- ATEX version available for Zone 20/22.

ACTUATOR

- Voltage supply: 24/110/230 VAC
24 VDC
- Actuator pressure: 4 to 6 bar (58 to 87 PSI)



Overall Dimensions



Type	ø	A	B	C	D	E	T	Q	R	S
VAS 50	50	204	102	290	115	250	85	52	6	9
VAS 65	65							67		
VAS 80	80	198	99	320	126	315	103	82	10	11
VAS 100	100	228	114				330	140		
VAS 125	125	258	129	370	160	357	158	127	10	11
VAS 150	156	316	158				405	185		
VAS 200	206	396	198	405	185	410	245	208		

Dimensions in mm

Benefits



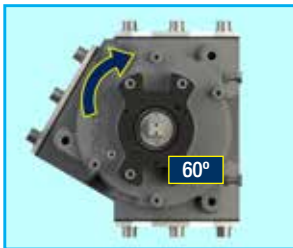
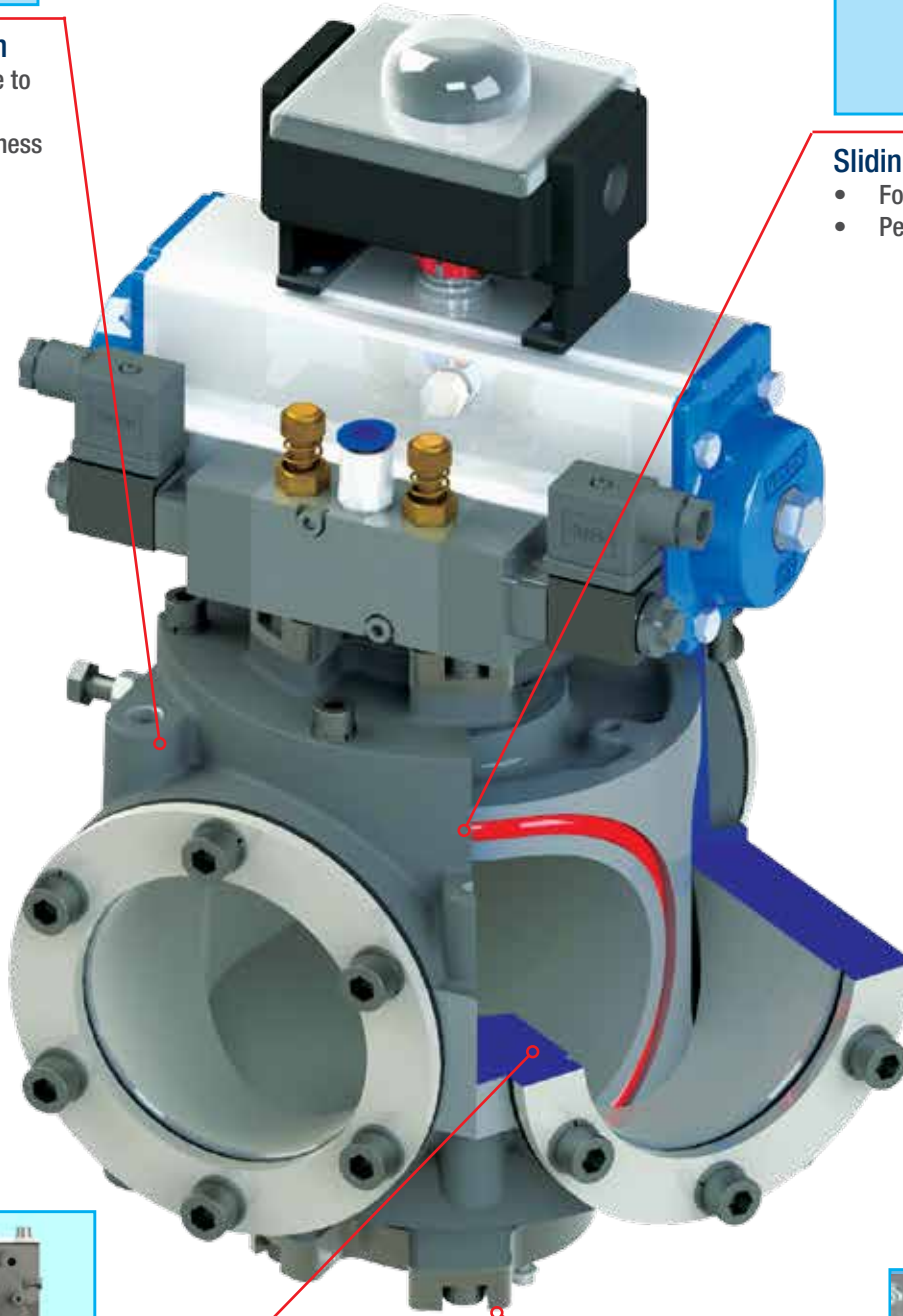
Nickel-plated Version

- Increased resistance to corrosion
- Higher surface hardness



Sliding Seal

- Food-grade
- Perfect sealing



Adjustable and Easy to Use as Diverter or Converter

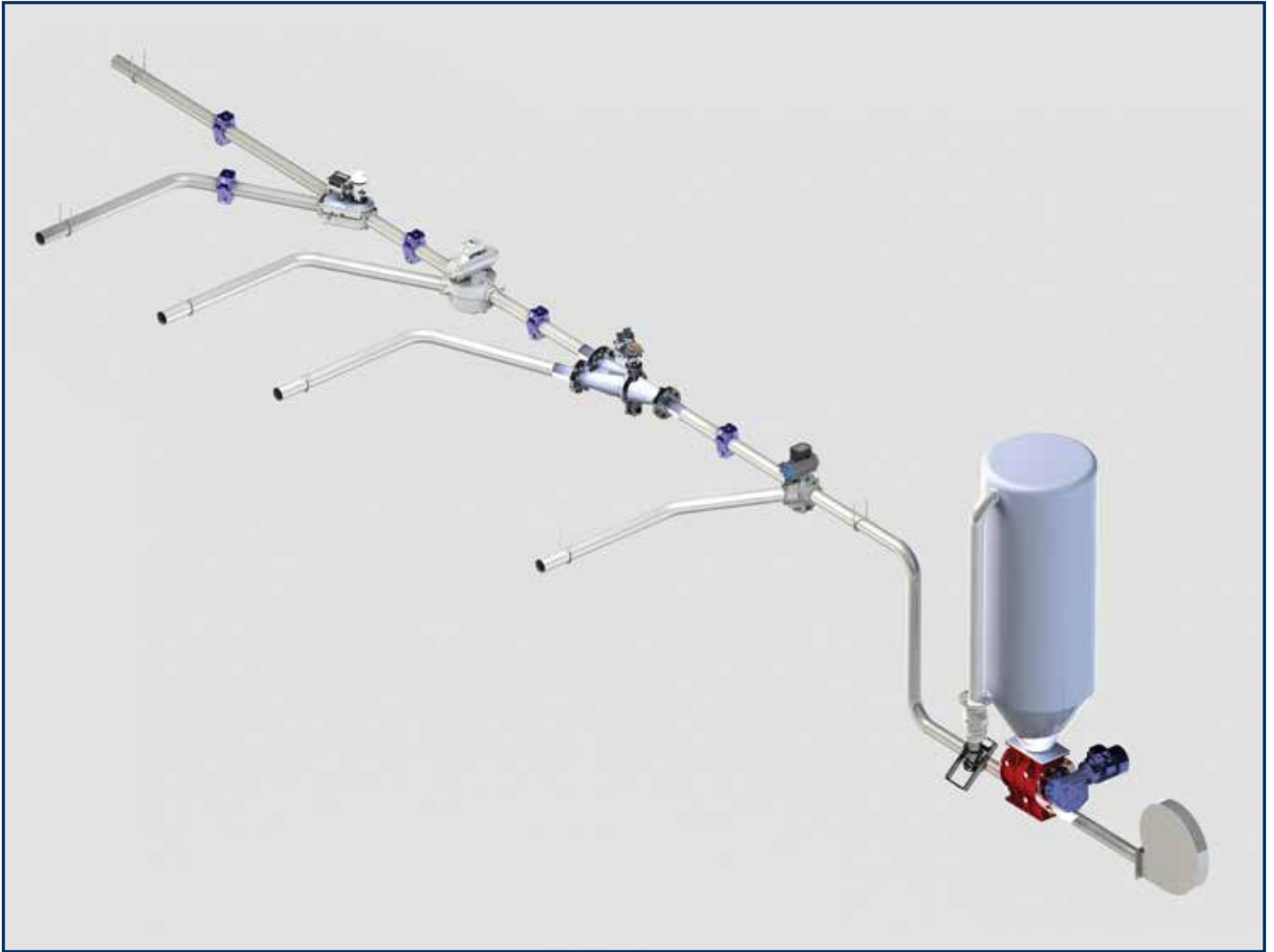
- Lightweight and compact overall dimensions
- Easy to install
- Maintenance-friendly
- Actuator assembly on either side of the casing



Material Flow Direction Indicators

- Visual arrow

Application



202007256 June 2017 Rights reserved to modify technical specifications.



Srbija 11160 Beograd, Jovanke Radaković 31lj
 Tel.: +381 (0) 11 2991 331, 2991 332
 Mob.: +381 (0) 63 280 797
 E-mail: svencommerce@sbb.rs
www.svencommerce.co.rs

SVEN COMMERCE