

MVE - Standard Range

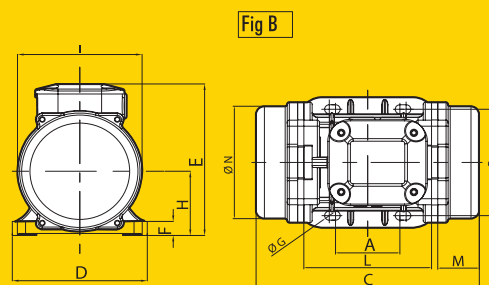
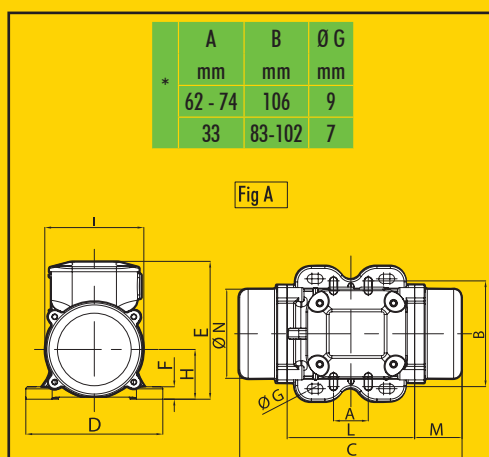
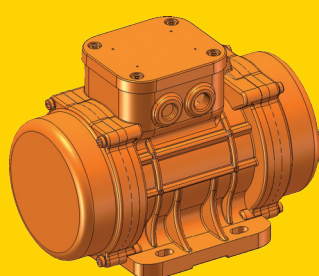
▶ 2 POLES SINGLE PHASE 3000 - 3600 rpm

- ⊕ - II 3 D Ex tD A22 Tx IP66
- TUV NORD Statement Conformity Number TUV 05 ATEX 2768X
- Equipment and protective system intended for use in potentially explosive atmospheres (Zone 22) - Directive 94/9/EC
- Compliance with Essential Health and Safety Requirements
- EN 61241-10

TYPE	Mechanical Features			Electric Features					
	Working moment (*)	FC	Weight	Power Kw 50 Hz	Current A max (Y) 50 Hz 230V	Ia/In 50Hz	⊕	Cable Glande	CAPACITOR 50Hz 230V
	Kgcm	Kg	Kg				II 3 D		
	50Hz	50Hz	50Hz				Temp. Class (°C)		
MVE 60/3M	1.31	66	4.2	0.08	0.43	3.0	100	M16	3 µF
MVE 100/3M	1.96	98	4.6	0.1	0.54	3.0	100	M16	4 µF
MVE 200/3M	3.72	187	7.0	0.18	1.14	3,3	100	M20	8 µF
MVE 202/3M	3.72	187	7.2	0.18	1.14	3,3	100	M20	8 µF
MVE 300/3M	6.39	321	9.8	0.27	1.58	3.60	100	M20	12.5 µF

TYPE	Mechanical Features			Electric Features						
	Working moment (*)	FC	Weight	Power Kw 60 Hz	Current A max (Y) 60 Hz 115V	Ia/In 60Hz	⊕	⊕	Cable Glande	CAPACITOR 60Hz 115V
	Kgcm	Kg	Kg				Class II Div.2	II 3 D		
	60Hz	60Hz	60Hz				Temp. Class (T)	Temp. Class (°C)		
MVE 60/3M	0.98	71	4.2	0.09	1.03	3.0	T4	100	M16	6.3 µF
MVE 100/3M	1.31	95	4.6	0.11	1.3	3.0		100	M16	8 µF
MVE 200/3M	2.61	189	7.0	0.21	2.62	3.30	T4	100	M20	16 µF
MVE 202/3M	2.61	189	7.2	0.21	2.62	3.30	T4	100	M20	16 µF
MVE 300/3M	4.46	323	9.8	0.28	3.43	3.50	T4	100	M20	25 µF

(*) = Working moment = 2 x static moment





Srbija 11160 Beograd Dr. Vilijema Hantera 5
 Tel.: +381 (0) 11 2991 331, 2991 332
 Mob.: +381 (0) 63 280 797
 E-mail: sveta@svencommerce.co.rs
 www.svencommerce.co.rs

SVEN COMMERCE

Good Vibrations
*When you need it
 Where you need it*

CE Declaration of conformity "type B" according to:
 - 2006/95/EC - 2004/108/EC - 2006/42/EC - EN 60034-1

ETL Intertek
 - Class II Div.2 Group F, G - T4 - NEMA 4
 - Conform to UL 1836, UL1004 Cert. CSA C22.2 N°25,100,145
 - Intertek ETL - SEMCO File Number 3177001



TYPE	Dimensional Features																
	FIG.	Size	C (mm)		M (mm)		A (mm)	B (mm)	Ø G (mm)	Holes n°	D (mm)	E (mm)	F (mm)	H (mm)	I (mm)	L (mm)	N (mm)
			50Hz	60Hz	50Hz	60Hz											
MVE 60/3M	A	10	211		45		*	*	*	4	130	136	12	48	94	121	85
MVE 100/3M	A	10	211		45		*	*	*	4	130	136	12	48	94	121	85
MVE 200/3M	B	20	231		54		62-74	106	9	4	131	159	15	64	121	123	112
MVE 202/3M	G	23	218		53		**	**	**	4	164	140	25	82	116	159	110
MVE 300/3M	C	30	273		55		***	***	***	4	154	175	15	79	142	163	131

NOTE: Dimensions with coarse degree of accuracy related to UNI 22768/1

